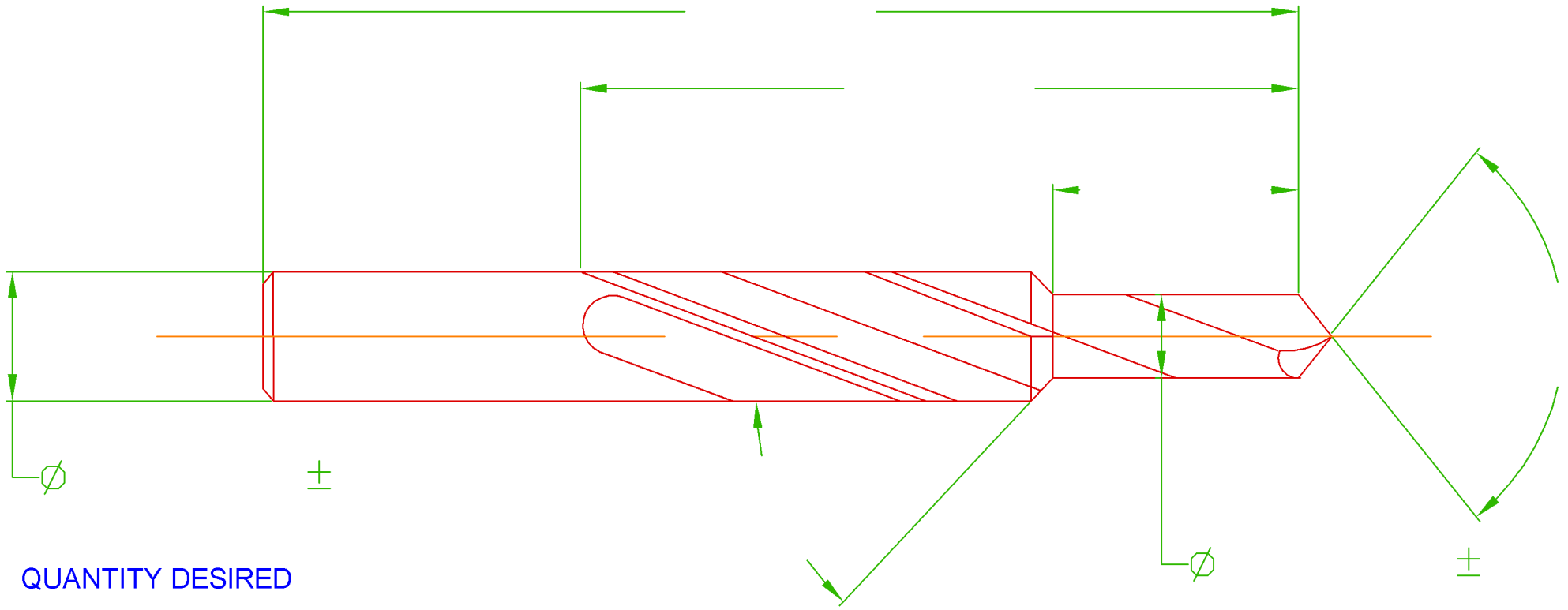


# DOUBLE MARGIN STEP DRILL

OVERALL



QUANTITY DESIRED

MATERIAL

# OF FLUTES

SPIRAL ORIENTATION

CUT ORIENTATION

HELIX ANGLE

BACK TAPER

COATING

COOLANT THRU

ADDITIONAL COMMENTS:

DRILL POINT STYLE:

|                     |          |   |  |                     |     |
|---------------------|----------|---|--|---------------------|-----|
| PROGRAM #           |          | WWW.TOOL - CRAFT.COM  |  | CUSTOMER NAME       |     |
| STANDARD TOLERANCES |          |  <p><b>TOOL-CRAFT INDUSTRIES, INC.</b><br/>2525 W. 14 Mile Rd, Royal Oak, MI, 48073<br/>(248) 549 0077</p> |  | PART #              |     |
| 0.00                | ± 0.10   |   |  | DATE                | REV |
| 0.000               | ± 0.001  |   |  | DRAWN BY (INITIALS) |     |
| 0.0000              | ± 0.0005 |   |  | MATERIAL            |     |
| ANGLES              | ± 1°     |   |  |                     |     |